



Stylish Solutions for all
your Outdoor Decorative needs.

LOOKBOOK

www.superlifestyle.in



OUR MISSION

is to provide people a fine quality and aesthetically appealing range of lifestyle products.

OUR COMMITMENT

is to provide top quality lifestyle products that mixes both function and design.

Our range of rotationally molded polyethylene lifestyle products are excellent examples of design principles like minimalism and simplicity. Crafted with UV Stabilised Polyethylene, Super Lifestyle products boast long-lasting lives that extend beyond decades.

Our Planters range is suitable for planting almost all kinds of plants. The planters are hand-finished to devil's detail to give a phenomenal experience and richness to your interiors and landscapes.

To see your plants flourish, we would suggest the use of "Expanded Clay Aggregate" with our planters.

Our Furniture range is extremely suitable for use in outdoors, be it in the garden, terrace, patio, as well as inside the house. To get an old charm rustic look - you can opt for Unwind furniture range. For the modern look - you can opt for our Haiku and Curve designer range.

"We are dedicated in improving our customer's lives by helping them upgrade their surroundings."



PRODUCT FEATURES



100 % RECYCLABLE

Environmental conservation, sustainability and respect for the natural conditions of our planet are priorities for Super Lifestyle. That is why all our products are manufactured with 100% recyclable materials.



UV RESISTANT

Added UV stabilizers to the resin work by screening out UV radiation and preventing damage. UV Resistant materials by nature resist UV rays and prevent UV degradation.



NON FADING COLOURS

Over time the sun's rays can fade the color, leaving you with a washed out product. That is unless you have a Super Lifestyle product, in which case the colour additive used help the products maintain their original colour for a long long time!



WEATHERPROOF

Super Lifestyle products are made of material which are able to withstand exposure to extreme weather without damage or loss of function.



LIGHTWEIGHT

Super Lifestyle products are ultra light. Lightweight products make it easy to redecorate or rearrange landscaping each season. They are also less expensive to ship, which works especially great for those looking to buy in bulk.



EASY TO CLEAN

You just need to wipe down the Super Lifestyle product with a wet cloth or a hose and it will look as fresh as ever.



TEXTURED

Some of Super Lifestyle products have a unique texture that resembles a handmade earthen pot. For the products that are not available in this breathtakingly charming texture, this particular symbol has been faded out. Look out for the bright ones!



SELF-WATERING PLANTERS

Self-watering planters have built-in watering systems that automatically replenish the soil with water, allowing plants to thrive without constant attention. Self-watering planters work by using the water stored in built-in reservoir when the soil runs dry, thus helping the plants to grow and thrive. Check out the Deco Bowl, Mid Urn and Big Urn for this feature.

HAIKU



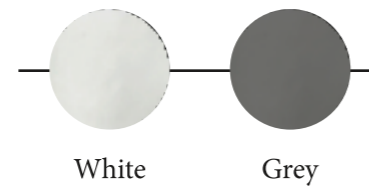
STYLISH YET COMFORTABLE PATIO FOR YOUR OUTDOOR OASIS & INDOOR HAVEN.

Haiku is a range of stylish and functional high-quality patio furniture that offers maximum relaxation and support for your body. Our versatile ergonomic designs work well for both indoor and outdoor settings. It is UV protected so no need to worry even if the Sun is burning bright!

HAIKU CUSHIONS

Haiku is supplied without the cushions. The bottom cushions are supplied only on request at additional cost. The fabric of the cushion has been treated with a laminate finish which makes it 100% water proof.

COLOUR OPTIONS

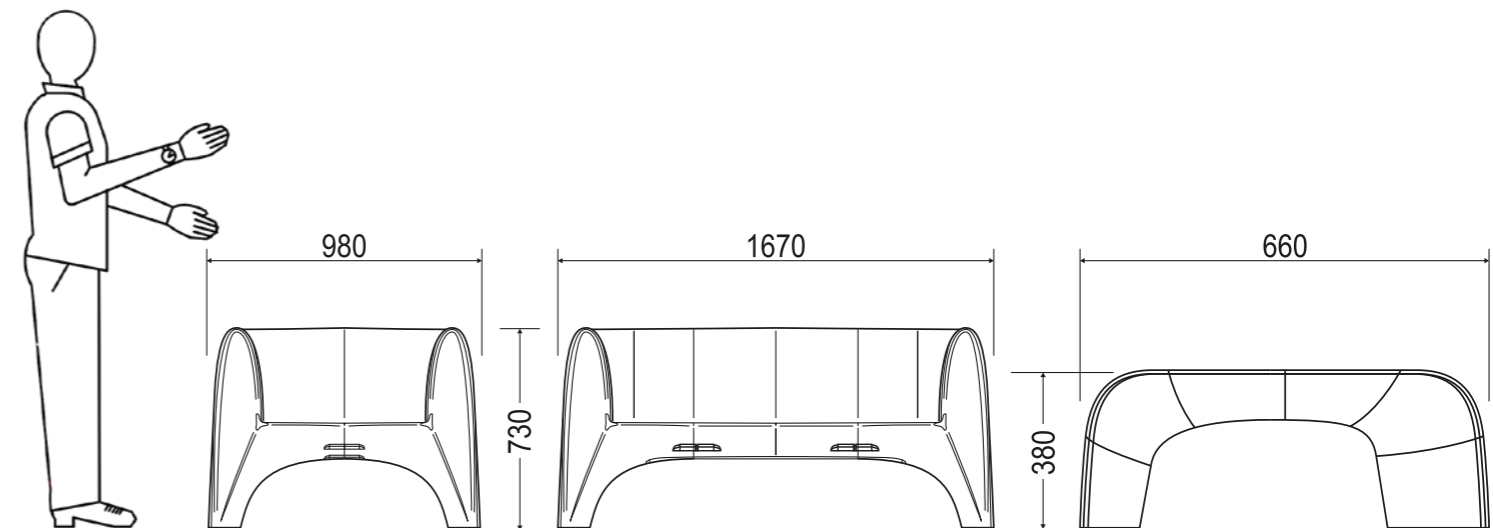


White

Grey



HAIKU SET COMPRISES OF: 2 SINGLE SEATER | 1 DOUBLE SEATER | 1 TABLE



Size(mm)	Single Seater	Double Seater	Table
Length	980mm	1670mm	999mm
Height	730mm	730mm	380mm
Depth	725mm	725mm	660mm

CURVE

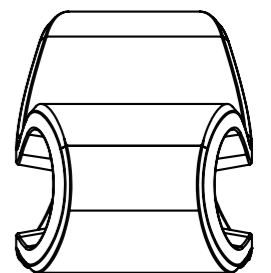
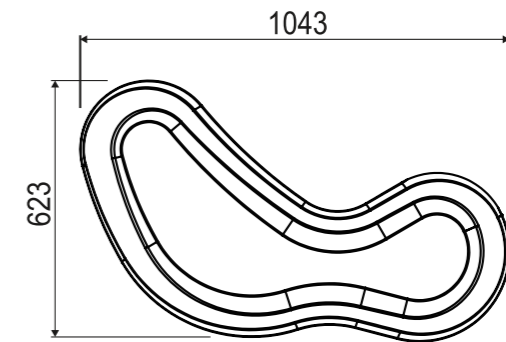
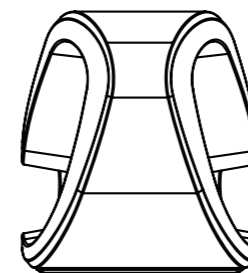


RELAX IN STYLE WITH CURVE - LUXURIOUS LOUNGE CHAIRS DESIGNED FOR COMFORT.

The Curve is a unique lounge chair designed for the ultimate comfort, as it fits every curve of your body, allowing you to relax your muscles as you sit. Curve chairs look beautiful. near the poolside, in the living room, and in your reading corner. Essentially they will fit in wherever you wish them to fit in.



COLOUR OPTIONS



Size	MM
Length	1043mm
Height	623mm





UNWIND



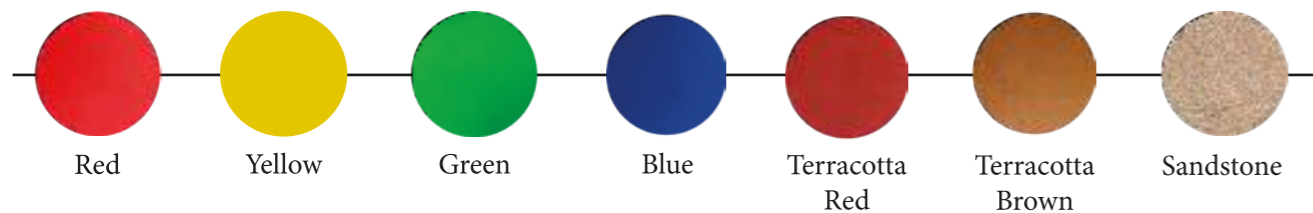
WOOD PLAST - A FUN AND FUNCTIONAL FURNITURE RANGE FOR ALL AGE GROUPS.

Get a mesmerized old-school look with the Wood Plast - the ergonomic furniture range from Super Lifestyle. Choose from various colours and make it according to your liking. It is sleek and durable even when used by active kids - something that you would love to have in your patio or garden!

Our bestselling convertible benches have a versatile design that can be turned into chairs by adding new slats (wooden planks).

The slats are treated pinewood which is able to withstand outdoor weather conditions. Our Unwind Set is available both with and without the slats.

COLOUR OPTIONS

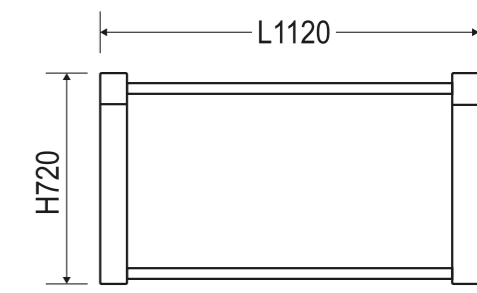
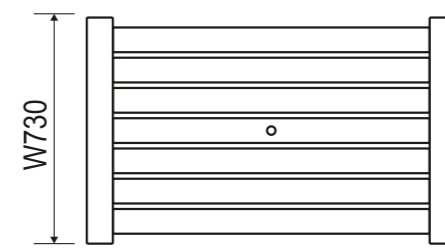
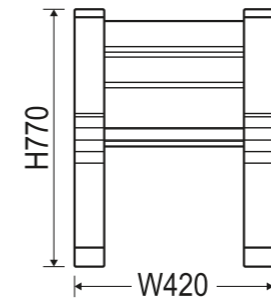
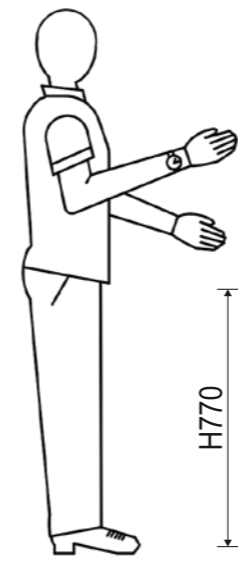


CHAIR

Size	MM
Width	420mm
Height	770mm

TABLE

Size	MM
Length	1120mm
Width	730mm
Height	720mm



EPIC



STYLE MEETS FUNCTIONALITY WITH THE INNOVATIVE EPIC LED TABLE.

EPIC stands as a versatile stand-up planter table, perfectly suited for contemporary living. Its unique LED feature adds to its charm. This multifunctional piece serves as a sleek coffee or cocktail table, or as a convenient stand-up snack station, whether by the pool, at bars, or in conference rooms. With a built in compartment for an ice bucket, planter, napkins or tableware, EPIC adapts seamlessly to its surroundings, catering to various needs and settings.

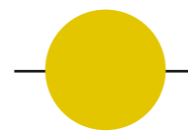
Toughened glass is placed on the table. The EPIC is available with and without the glass.

COLOUR OPTIONS

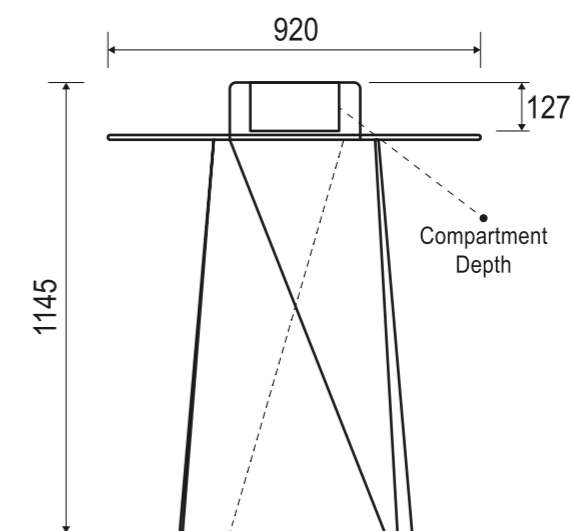


Natural
White

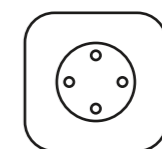
LED COLOUR



Yellow



Size	MM
Width	920mm
Height	1145mm
Compartment Depth	127mm



Easily removable
Bottom Lid with
installed LED.

LED TULIP



Illuminate your space with a touch of brightness using the Tulip with LED. Its integrated LED lights create a captivating glow, highlighting your favorite greenery or floral arrangements with a soft and inviting radiance.

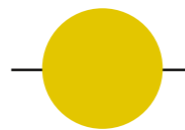


COLOUR OPTIONS

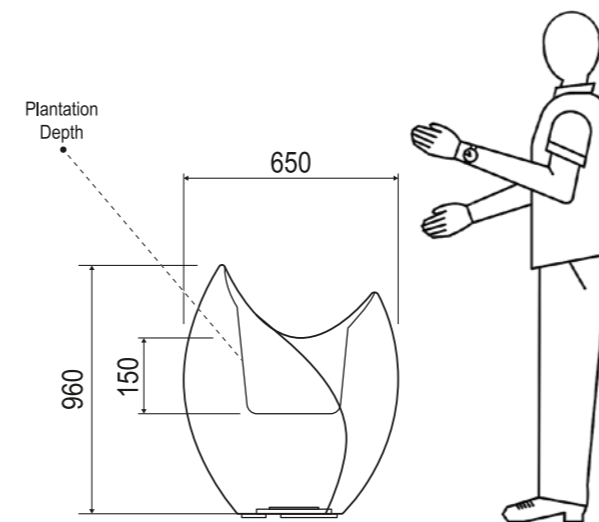


Natural White

LED COLOUR



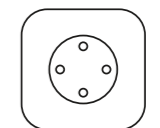
Yellow



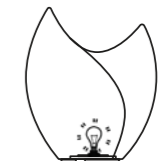
Size	MM
Model code	G.12
Width	650mm
Height	960mm
Plantation Depth	150mm



Water outlet pipe for excess water to flow out.



Easily removable Bottom Lid with installed LED.



Water proof bottom panel to access the LED.



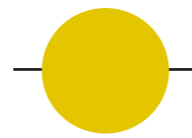
LED QUAD



Quad planter from Super Lifestyle is aesthetic in its design with rounded edges and a touch of translucency. This planter is suitable for all locations because of its ultra modern look and warm lights.

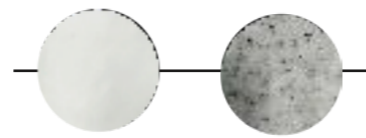


LED COLOUR



Yellow

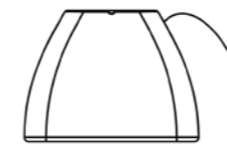
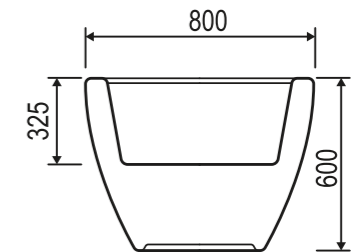
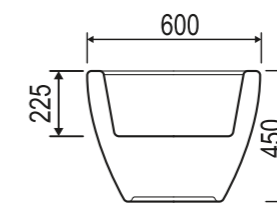
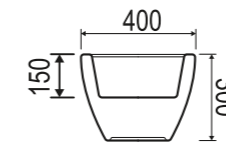
COLOUR OPTIONS



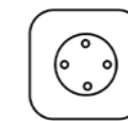
White

White Marble

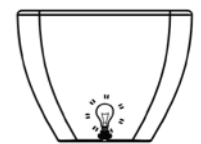
Size	M	L	XL
Model code	G.1.A	G.1.B	G.1.C
Width	400mm	600mm	800mm
Height	300mm	450mm	600mm
Plantation Depth	150mm	225mm	325mm



Water outlet pipe for excess water to flow out.



Easily removable bottom lid with LEDs installed.



Water proof bottom panel to access the LED.





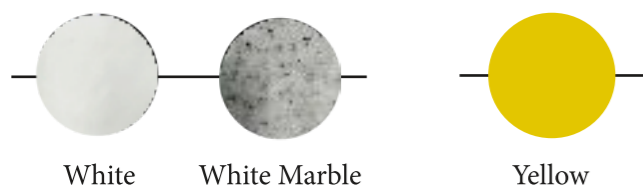
LED CIRCUM



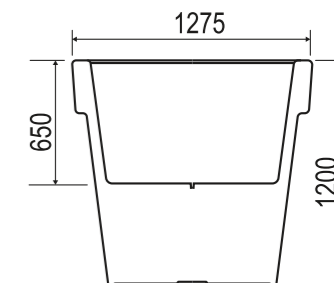
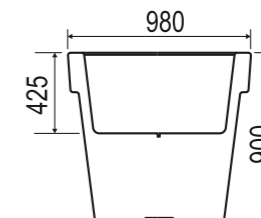
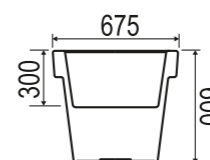
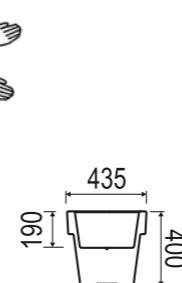
This LED variant of circum planter gives you the same classic robust look with an inner lining. Its sturdiness and elegance ticks two most important boxes.

COLOUR OPTIONS

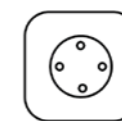
LED COLOUR



Size	M	L	XL	XXL
Model code	G.3.A	G.3.B	G.3.C	G.3.D
Width	435mm	675mm	980mm	1275mm
Height	400mm	600mm	900mm	1200mm
Plantation Depth	190mm	300mm	425mm	650mm



Water proof bottom panel to access the LED.



Easily removable bottom lid with LEDs installed.



Water outlet pipe for excess water to flow out.



LED SLIM LINE



Slim - Line planter is the perfect blend of a classic design with a contemporary twist. It's tapered down design creates an entirely different lighting effect that looks striking in all sites, especially narrow locations. It is an eye catching planter with a stylish design.

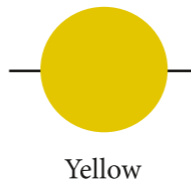
COLOUR OPTIONS



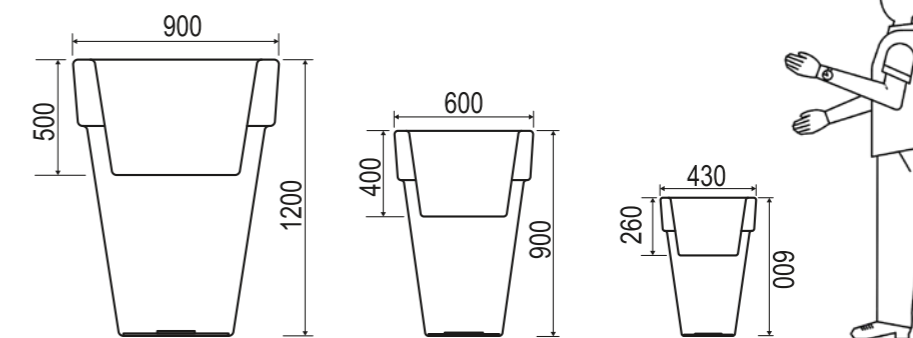
White

White Marble

LED COLOUR



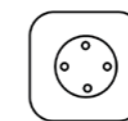
Yellow



Size	M	L	XL
Model code	G.4.A	G.4.B	G.4.C
Width	430mm	600mm	900mm
Height	600mm	900mm	1200mm
Plantation Depth	260mm	400mm	500mm



Water proof bottom panel to access the LED.



Easily removable bottom lid with LEDs installed.



Water outlet pipe for excess water to flow out.





BIG URN



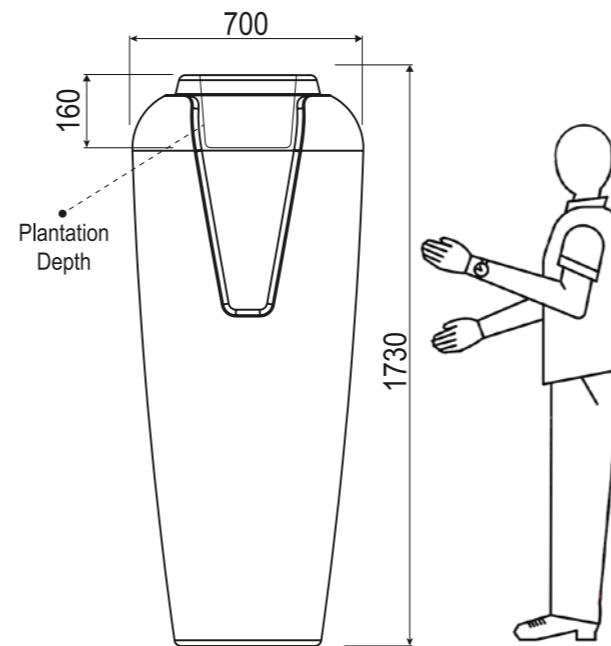
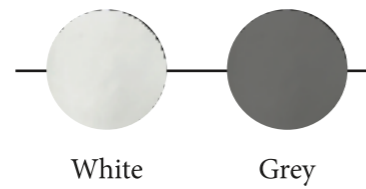
RAINWATER HARVESTING TANK WITH PLANTER - DUAL FUNCTION.

Behold the magnificent Big Urn! A versatile vessel capable of storing gushing amounts of water, making it ideal for the purpose of rainwater harvesting. But wait, there's more! It has dual functionality of Rainwater Harvesting Tank along with the planter. Sleek in appearance the Urn is ideal in situations where you want to hide ugly downpipes and dead wall spaces. Water can be easily extracted using a tap or a bucket.

Big Urn offers self-watering feature that works by fetching the water stored in built-in reservoir through a wick.

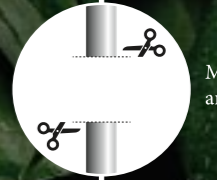
Big Urn comes with the pipe, bracket attachment and two brass 3/4 inch threaded ports for convenient connections to pumps, taps, and more.

COLOUR OPTIONS



Size (capacity)	400 ltr.
Model code	G.12
Width	700mm
Height	1730mm
Plantation Depth	160mm

Installation Instructions



Measure and cut pipe.



Measure and Apply Brackets using appropriate fastener.



Pot your plant using a good quality Potting Mix.



Add some stones or mulch around the plant.



Apply a PVC elbow to guide the water into the inlet.



Apply hose attachments to the brass inserts provided.



Suits a Standard range of fittings.

MID URN



Mid Urn is a light weight and stylish decorative urn with smooth finishes and a range of colors to choose from. Pair it up with the Deco Planter Bowl to make a garden fountain.

Mid Urn comes with self-watering feature that works by fetching the water stored in built-in reservoir through a wick.



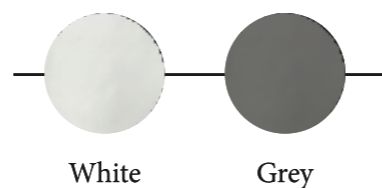
DECO BOWL PLANTER

A bold and modern planter design that enhances any interior style.

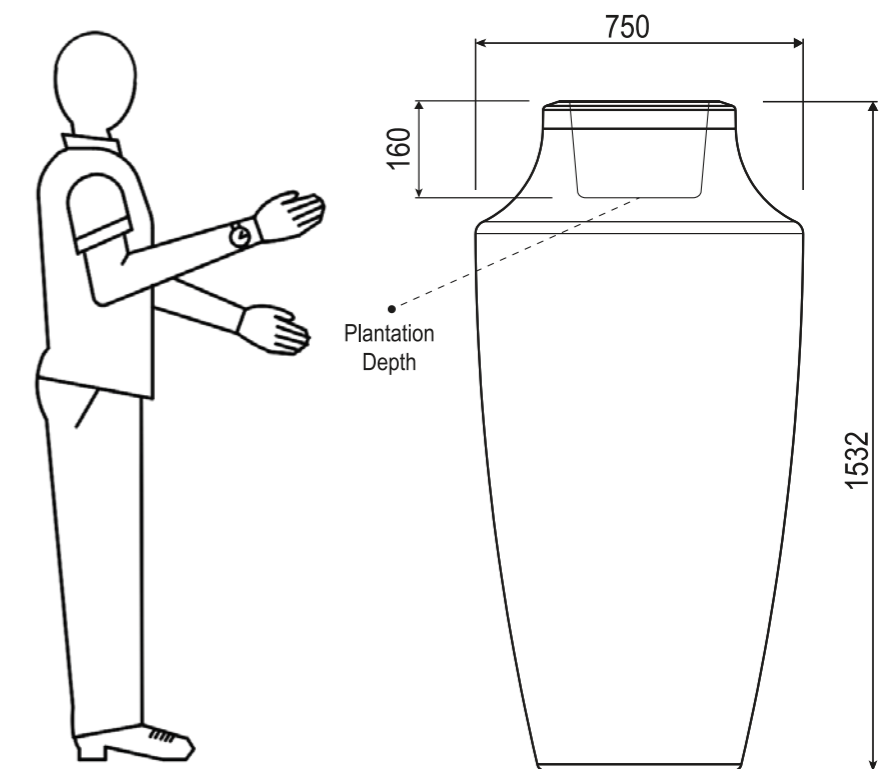
Position the Mid Urn atop the Deco bowl for an effortlessly beautiful water-feature fountain. *

The bowl's base features three brass 3/4 inch threaded ports for convenient connections to pumps, taps, and more.

COLOUR OPTIONS



*Pump is not supplied with the planter.



Size (capacity)	390 ltr.
Model code	G.14
Width	750mm
Height	1532mm
Plantation Depth	160mm





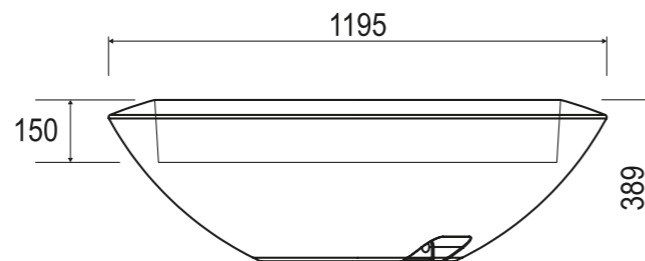
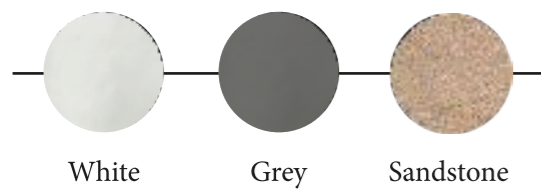
DECO PLANTER BOWL



Deco Planter Bowl - a striking and contemporary style planter to complement any décor. Simply remove the support tray from the inside of the bowl and watch your favorite plants thrive in this elegant and spacious planter.

Deco Planter Bowl comes with self-watering feature that works by fetching the water stored in built-in reservoir through a tube. The bowl's base features three brass 3/4 inch threaded ports for convenient connections to pumps, taps, and more.

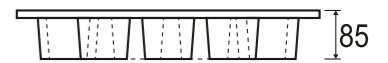
COLOUR OPTIONS



Size (capacity)	135 ltr.
Model code	G.12
Width	1195mm
Height	389mm
Insert Tray Depth	85mm
Depth w/o Tray	150mm



DECO BOWL INSERT

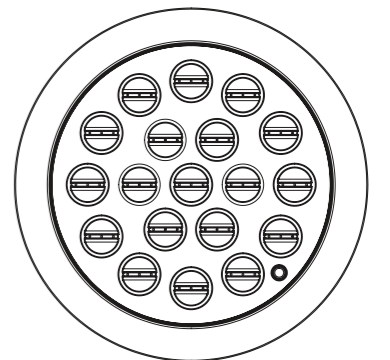


ONE BOWL - MULTIPLE APPLICATIONS

Planter / Bowl – Plant directly into the bowl to create a contemporary showpiece.

Herb Planter – The herb planter inserts create a self-watering planter. Go on your holidays without worrying about watering your valuable herbs they will take care of themselves.

Maximize compact spaces for your garden. Perfect for growing herbs such as Cilantro, mint, basil, oregano, thyme, parsley etc.



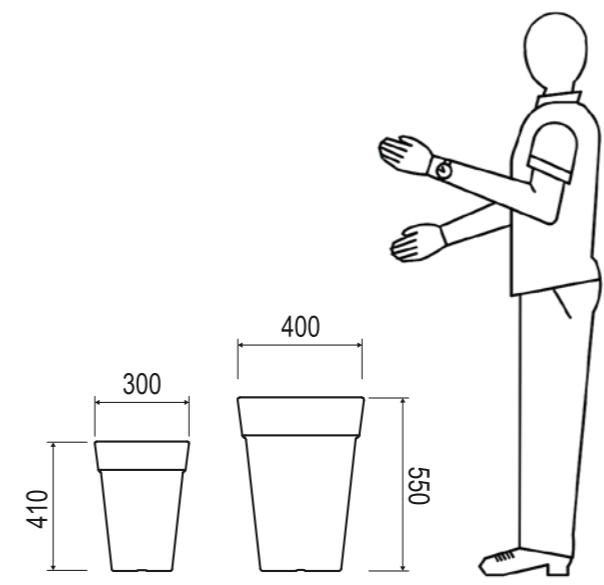
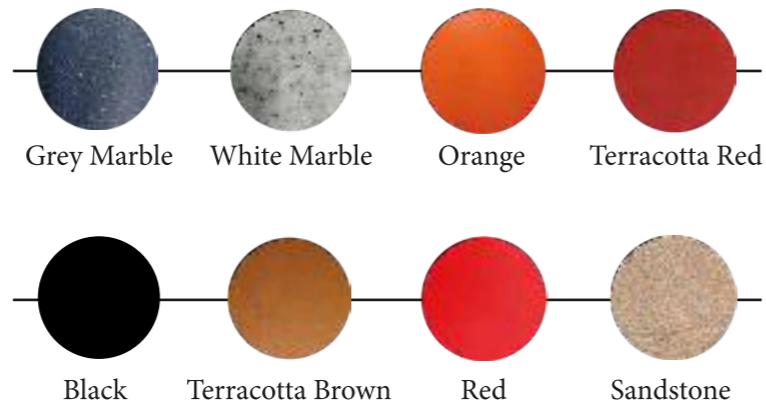


JERRY



This voguish planter provides a bold statement while still being very functional and economical. It adds a touch of class to any surrounding that its kept in. One can never go wrong with this planter.

COLOUR OPTIONS



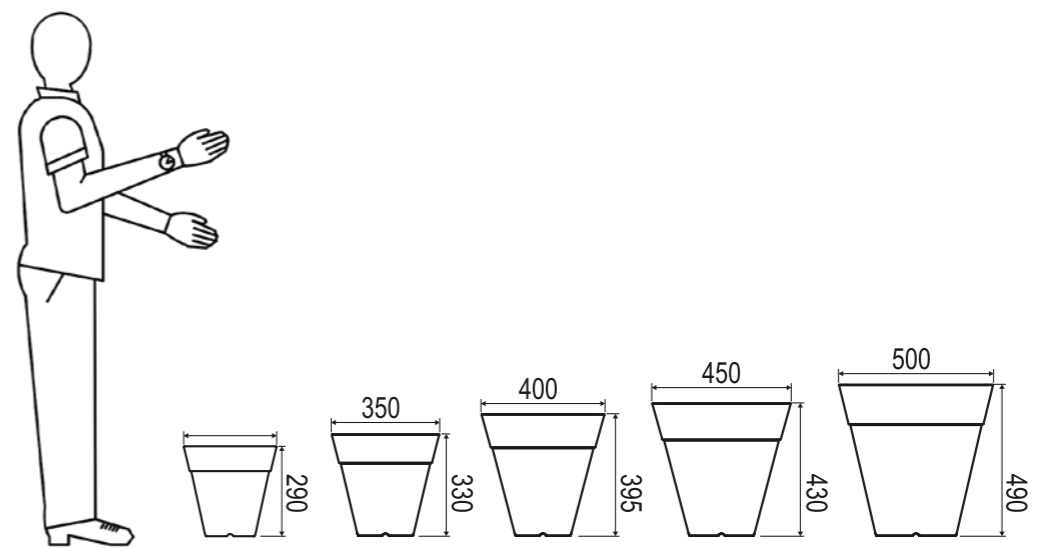
Size (capacity)	M (17 ltr.)	L (44 ltr.)
Model code	G.7.A	G.7.B
Width	300mm	400mm
Height	410mm	550mm



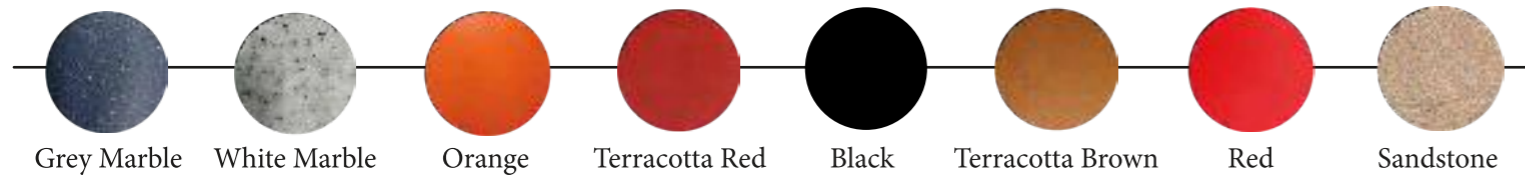
TOM



A minimalistic and conspicuous design makes this planter look sophisticated and stylish. It can be perfectly arranged inside homes and exterior settings with a guaranteed added gracefulness to the spot. It is an excellent product with 5 sizes and various colours to choose from.



COLOUR OPTIONS



Size (capacity)	XS (8 ltr.)	S (12 ltr.)	M (17 ltr.)	L (24 ltr.)	XL (41 ltr.)
Model code	G.11.A	G.11.B	G.11.C	G.11.D	G.11.E
Width	300mm	350mm	400mm	450mm	500mm
Height	290mm	330mm	395mm	430mm	490mm



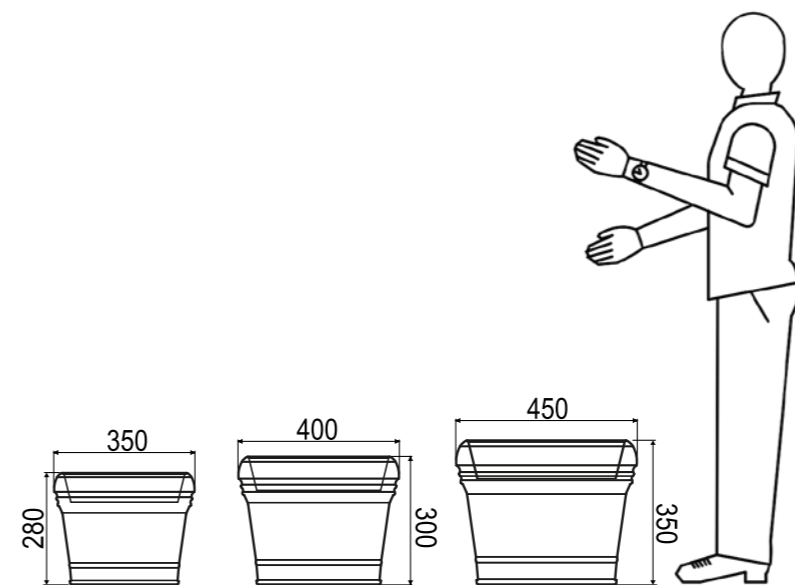
DANIELLE



Urban or rural, residential or commercial, this planter adds a traditional dazzle to the space. The embossed leaf motif is definitely suave and familial.



COLOUR OPTIONS



Size (capacity)	S (14 ltr.)	M (20 ltr.)	L (30 ltr.)
Model code	G.8.A	G.8.B	G.8.C
Width	350mm	400mm	450mm
Height	280mm	300mm	350mm





INGA

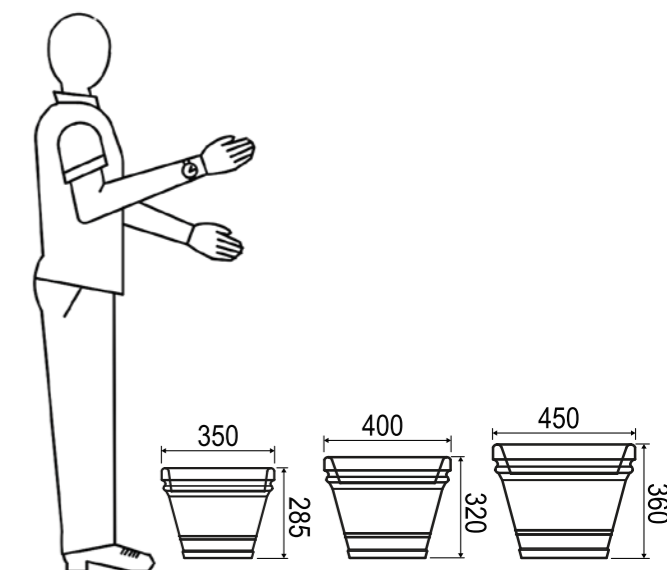


Inga resembles the conventional look of the early earthen pots. The decorative container gives a perfect look of old world charm joining hands with our modern homes.

COLOUR OPTIONS



Size (capacity)	S (12 ltr.)	M (18 ltr.)	L (24 ltr.)
Model code	G.9.A	G.9.B	G.9.C
Width	350mm	400mm	450mm
Height	285mm	320mm	360mm





TIM

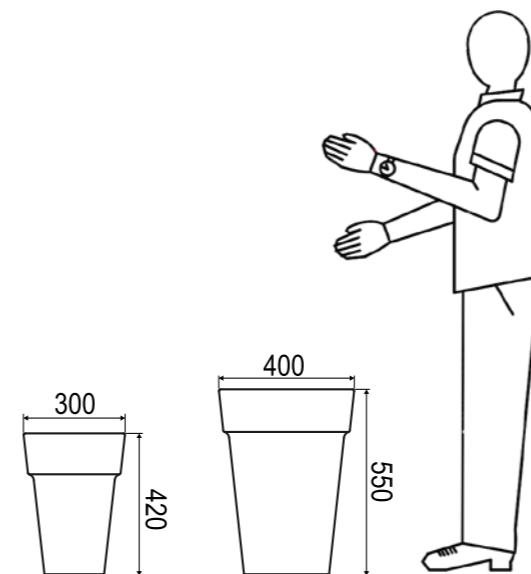
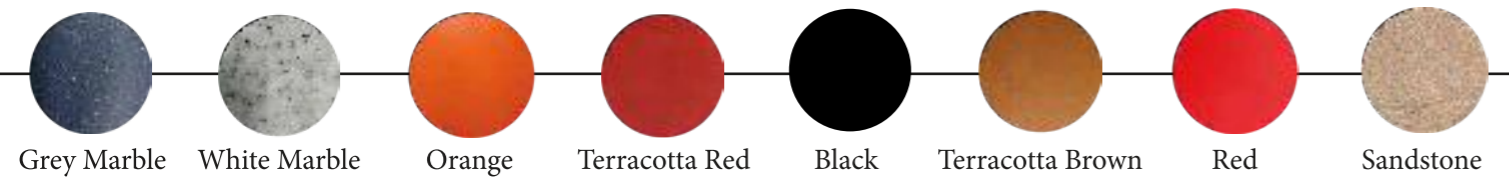


Whether in front of an industrial business or a high-toned society, singular or in a group of two, this planter will complement any environment. Its sleek and elegant aesthetic will not go unnoticed.



Handmade Texture Look

COLOUR OPTIONS



Size (capacity)	M (11 ltr.)	L (33 ltr.)
Model code	G.10.A	G.10.B
Width	300mm	400mm
Height	420mm	550mm

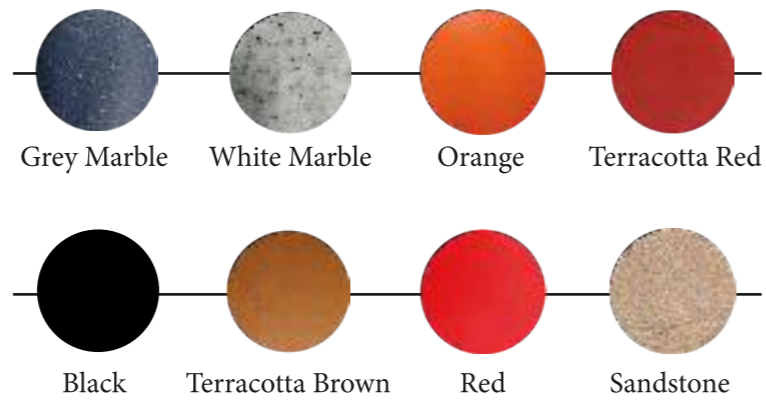
CARLOS



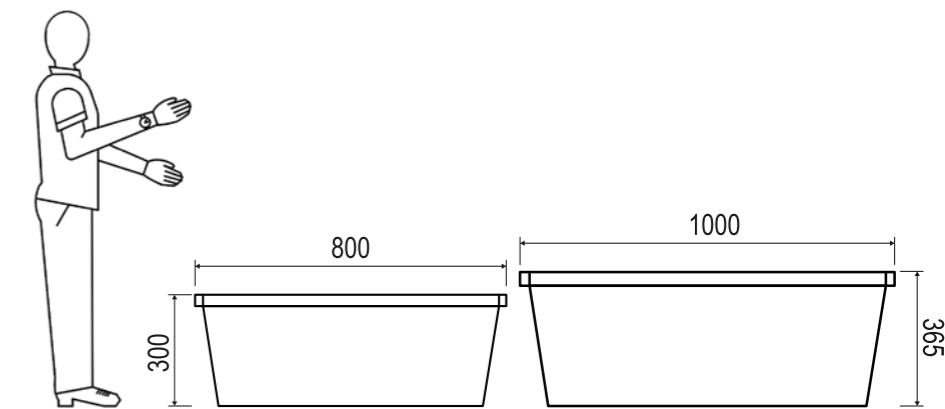
This rectangular planter is Super Lifestyle's most unusual design. Carlos can be used to mark pathways in garden and properties. The texture has natural blemishes that are usually found in handmade planters.



COLOUR OPTIONS



Size (capacity)	M (38 ltr.)	L (86 ltr.)
Model code	G.6.A	G.6.B
Length	800mm	1000mm
Width	280mm	400mm
Height	300mm	365mm

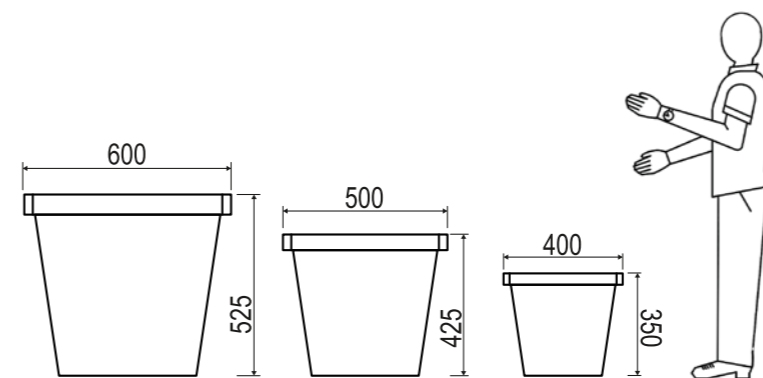
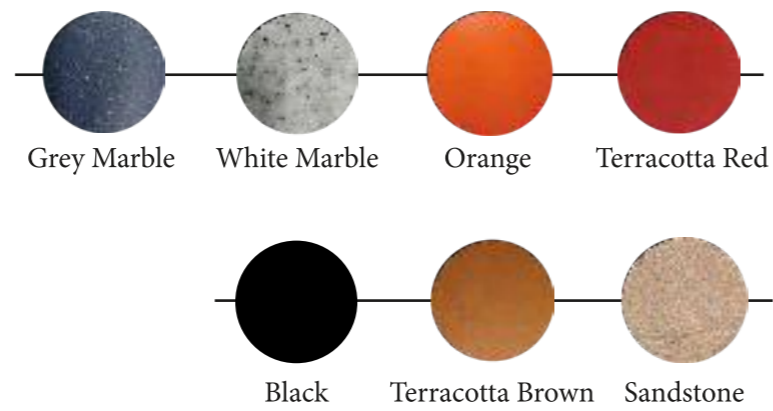


CARLA



The texture and look of this planter resembles an earthen pot whereas the durability is that of an unbreakable UV stabilised roto moulded product. The ribbed surface gives an added charm to this classic planter.

COLOUR OPTIONS



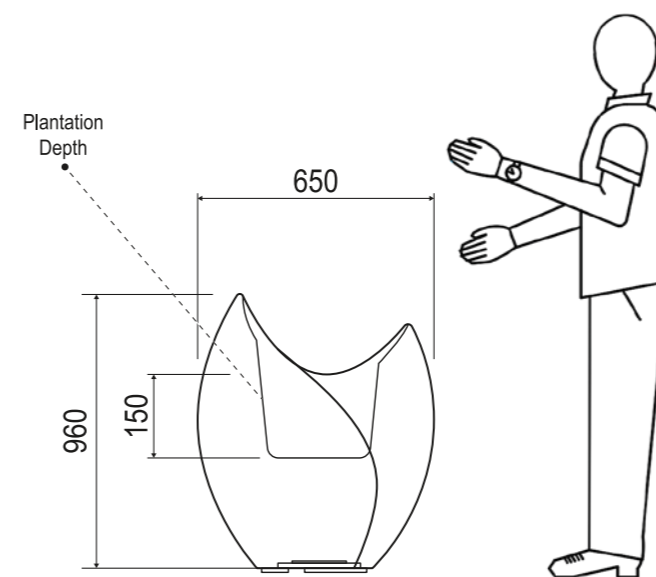
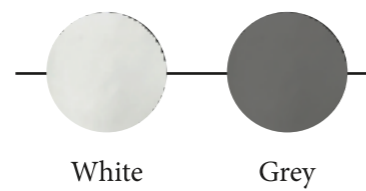
Size (capacity)	S (29 ltr.)	M (54 ltr.)	L (100 ltr.)
Model code	G.5.A	G.5.B	G.5.C
Width	400mm	500mm	600mm
Height	350mm	425mm	525mm

TULIP

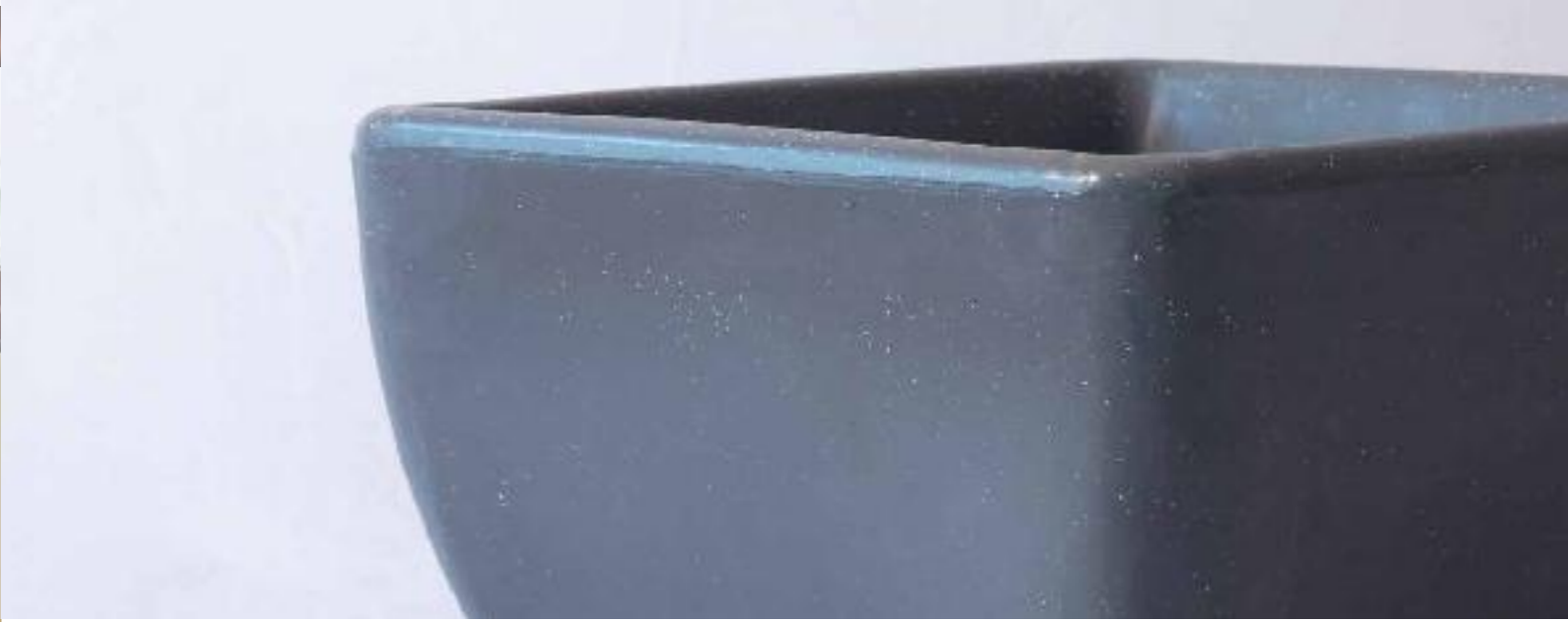


Meet Tulip Planter - An elegant planting vase made from UV - Stabilised Polyethylene that can give a royal feel to any area! Crafted with style and known for long lasting durability, it adds a touch of charm to any setting.

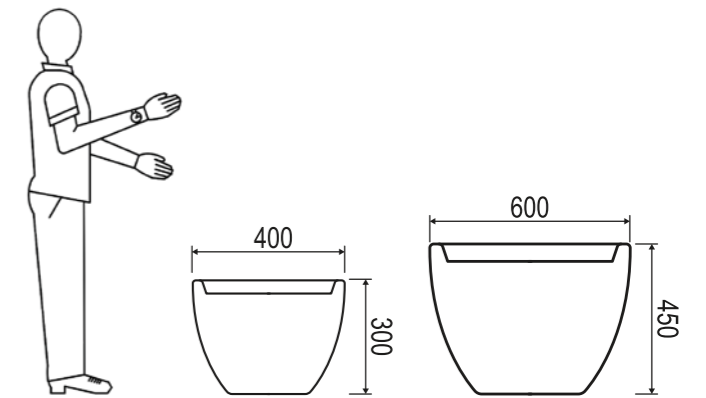
COLOUR OPTIONS



Size	MM
Model code	G.12
Width	650mm
Height	960mm
Plantation Depth	150mm



Size (capacity)	M (28 ltr.)	L (106 ltr.)
Model code	G.1.A	G.1.B
Width	400mm	600mm
Height	300mm	450mm

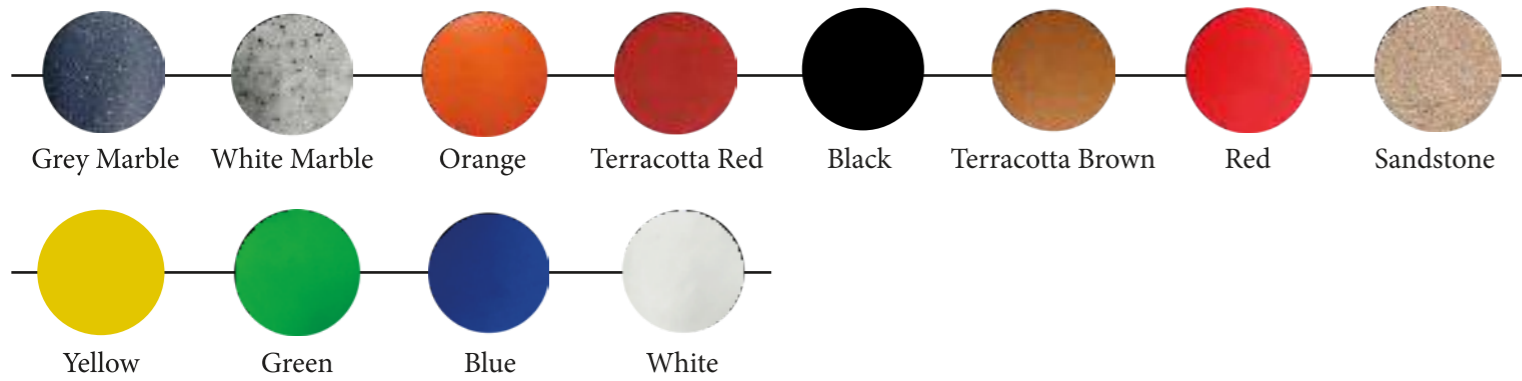


QUAD



This single layer Quad planter is Super Lifestyle's original design. The finish and texture is versatile with a tasteful design. Varied colour options of red, green, marble, sandstone and many others makes this planter stand out against any landscape.

COLOUR OPTIONS

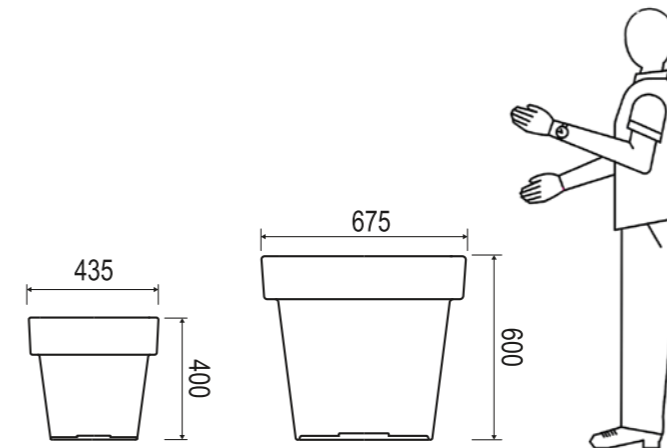


CIRCUM



Circum planter has a robust look with a broad base and a heavy body making it highly suitable for outdoor use. Perfect for the special nook in your home, garden and offices.

COLOUR OPTIONS



Size (capacity)	M (32 ltr.)	L (122 ltr.)
Model code	G.3.A	G.3.B
Width	435mm	675mm
Height	400mm	600mm



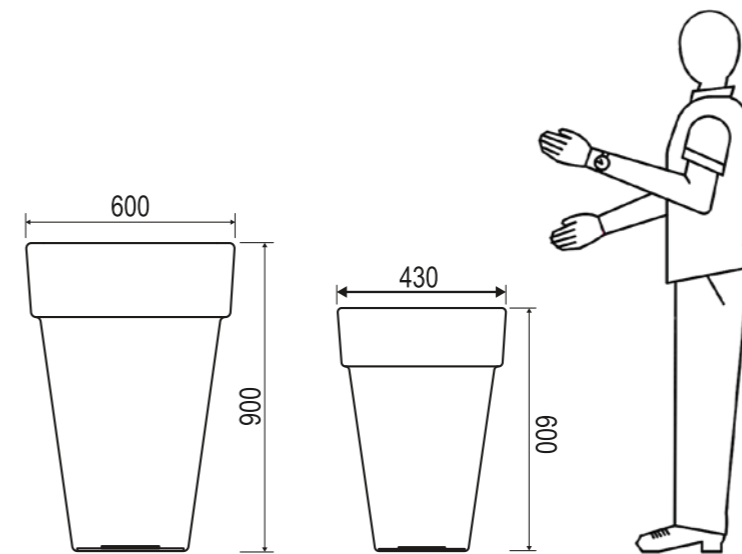
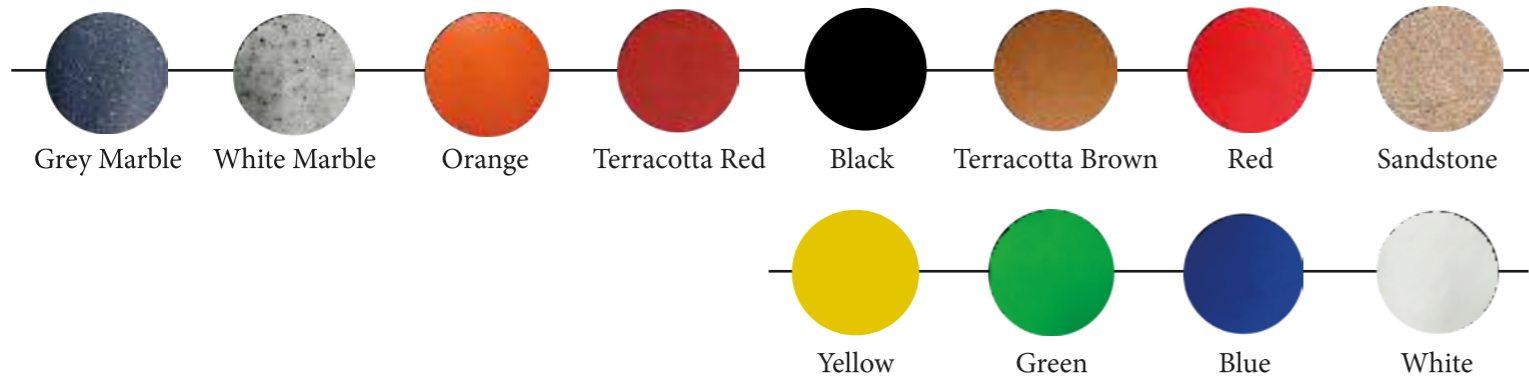
SLIM LINE



The streamlined design of this planter gives it a unique look with a good stability. This impressive design works well in homes as well as professional settings.



COLOUR OPTIONS



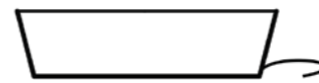
Size (capacity)	M (46 ltr.)	L (140 ltr.)
Model code	G.4.A	G.4.B
Width	430mm	600mm
Height	600mm	900mm



BALCONY PLANTER



This planter is fantastic for vertical wall gardens or handrails in balconies. It is a perfect product to create an urban jungle in limited spaces. A way to enjoy greenery in compact areas.



Excess water outlet pipe to provide optimum water for plant needs.

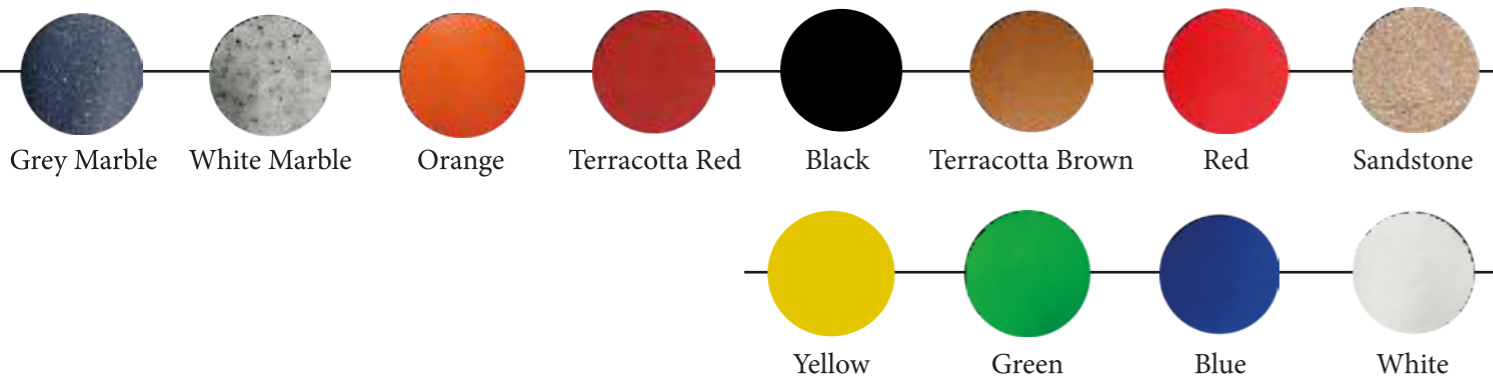
Size(capacity)	25 ltr. Max
Length	600mm
Width	175mm
Height	155mm



Universally designed bottom cavity to fit all types of railings.



COLOUR OPTIONS



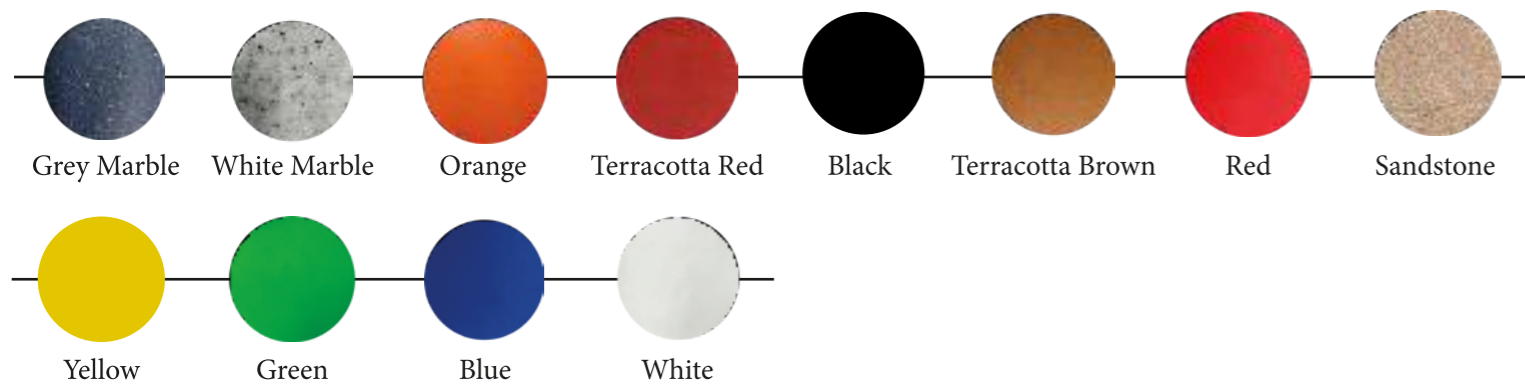


SAUCERS



A planter needs a tray or a saucer underneath to prevent excess water from spilling onto your carpet, floor or furniture. These stylish round saucers protect surfaces from water damage. Heavy duty saucers are a must-haves under potted plants, especially if indoors.

COLOUR OPTIONS



Size	S	M	L	XL
Model code	T-300	T-360	T-390	T-480
Diameter	300mm	360mm	390mm	480mm



 /super.planters

 /plantersbysuper



FOR BOOKINGS AND INQUIRY, PLEASE CONTACT:

Baroda Polyform Pvt. Ltd.

Block No. 52, Haribhakti Colony

Shalin Flats, Race Course

Vadodara - 390007, Gujarat, India

Ph: +91-7043354300 | +91-7486890055

Email: sales@barodapolyform.com

sales1@barodapolyform.com

admin@barodapolyform.com

www.superlifestyle.in

Do you have a plant?

We have the planter !!

Do you have an outdoor space?

We have a furniture range to grace it !!

